

# Plumbing and heating

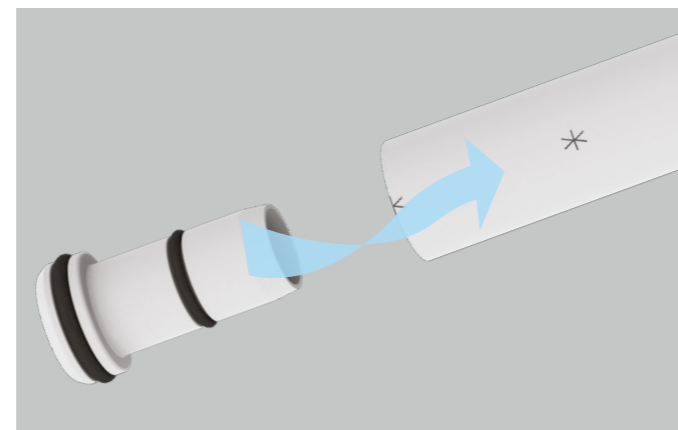
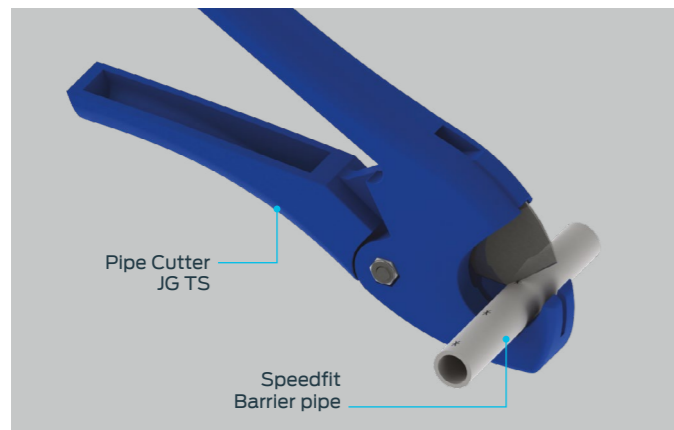
## - making a good connection

### Prepare the pipe

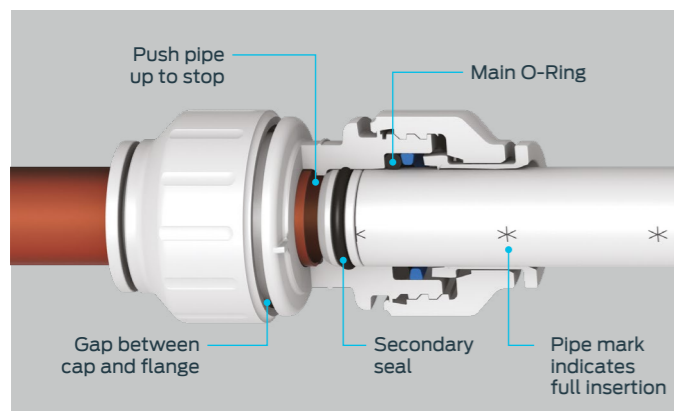
Fittings and pipe should be kept clean bagged and undamaged before use.

Ensure the pipe is free of score marks. Cut the pipe square. When using Speedfit Barrier Pipe cut along an insertion mark. We recommend the use of JG Pipe Cutters.

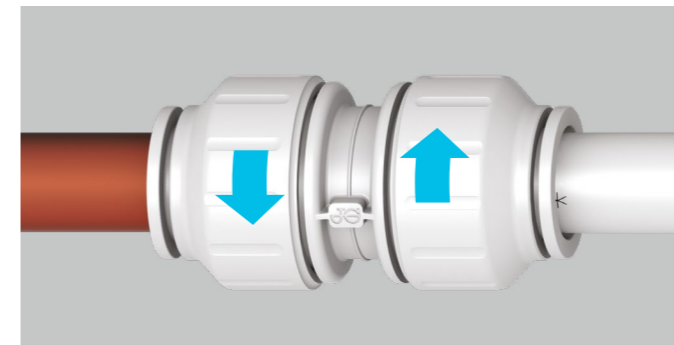
To prevent damage to the O-Ring remove all burrs and sharp edges. When connecting Speedfit pipe use a Superseal Pipe Insert or a Standard Speedfit Pipe Insert. Fully insert using a twisting motion. The insert should only be used with Speedfit Pipe.



### Twist & Lock fittings



The fitting should be in the 'unlocked' position, this is shown with a small gap between the screwcap and the body flange.  
Push the pipe fully into the fitting, up to the pipe stop. If the Speedfit pipe has been cut correctly the insertion mark on the pipe will be level with the collet head. The O-Ring on the Superseal Pipe Insert provides a secondary seal against the bore of the fitting. A good connection has been made.

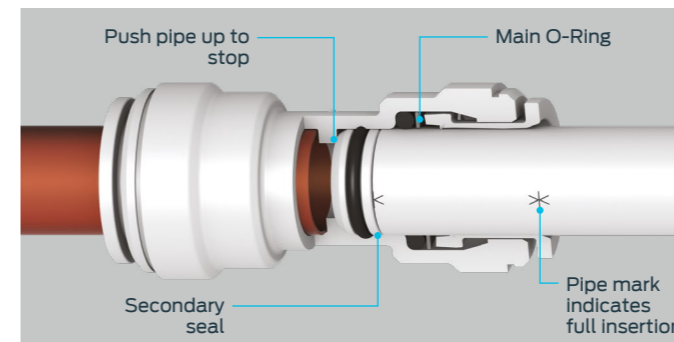


Twist the screwcap until it touches the body flange. This increases the O-Ring seal around the pipe and locks the pipe into position.



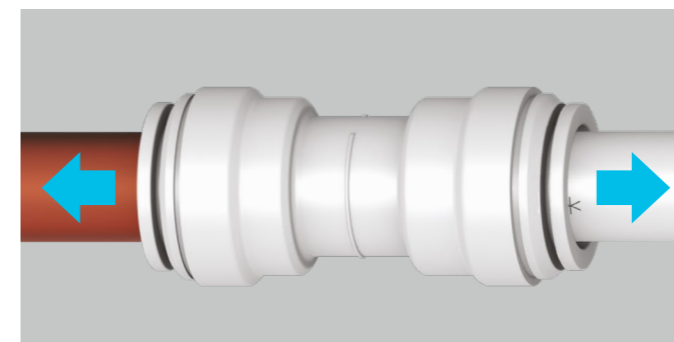
If you are not using collet clips, ensure that the screwcaps are in the locked position. Pull to check it is secure. It is good practice to test the system prior to leaving the site or before use. Our recommended test procedure is shown in our Technical Checklist.

### Standard Speedfit fittings



Standard Speedfit connections are made in the same way as Twist & Lock.

Push pipe up to Pipe Stop. If the Speedfit pipe has been cut correctly the insertion mark on the pipe will be level with the collet head.



Pull to check connection is secure and test the system. Our recommended test procedure is shown in our Technical Checklist on page 23.